



A Canadian Solar subsidiary

## T4-PC-1 CONNECTOR

### PRODUCT OVERVIEW

T4 connectors use high quality materials that guarantee long-term reliability. Lower contact resistance and higher current transfer capability ensure high product efficiency. T4 connectors have IP68 water-proof rating and can be used in a wide operating temperature range from -40 °C to 90 °C.

### CERTIFICATIONS

UL 6703: CSA

IEC 62852: TÜV-SÜD

RoHS, REACH, NEC, PAHS and Halogen-free compliant (no locking sleeve required)



Male connector (-)



Female connector (+)



### ELECTRICAL DATA

Rated Voltage	IEC 1500 VDC & UL1500 VDC
Rated Current	48A (4 mm <sup>2</sup> ) / 32A (12 AWG) 54A (6 mm <sup>2</sup> ) / 32A (10 AWG)
Contact Resistance	≤ 0.25 mΩ
Pollution Degree	Class II
Protection Class	Class II
Protection Degree	IP68 (when mated)
Fire Resistance	UL 94-V0
Temperature Range	- 40 °C ~ + 90 °C
Rated Impulse Voltage	16 kV

### MECHANICAL DATA

Conductor Cross Section	IEC: 4 mm <sup>2</sup> / 6mm <sup>2</sup> ; UL:10AWG/12AWG
Connector System	Φ 4.0 mm
Contact Material	Copper, Tin-plated
Type of Termination	Crimping
Locking System (UL)	Locking type

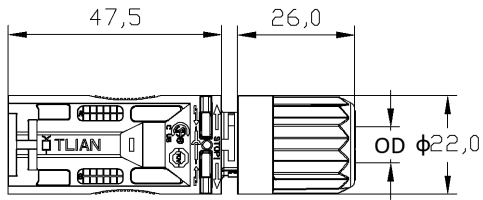
### TLIAN (CHANGSHU) CO., LTD.

Guanghuahuan Road No.6, Changshu, Jiangsu,China, 0086-512-52971585

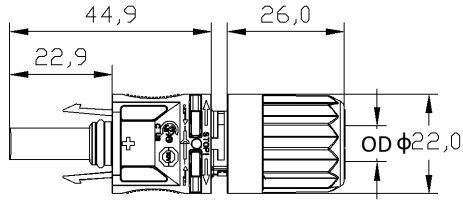
### CSI SOLAR CO.,LTD.

199 Lushan Road,SND,Suzhou,Jiangsu,China,215129,www.csisolar.com,support@csisolar.com

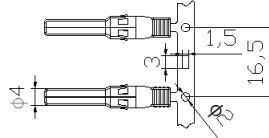
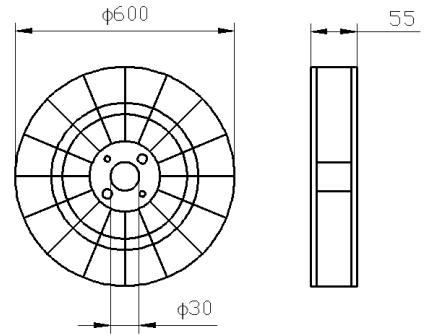
**ENGINEERING DRAWING (mm)**



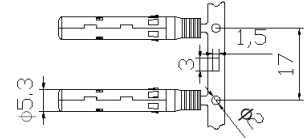
Male connector (-)



Female connector (+)



Male pin contact (-)



Female socket contact (+)

**T4-PC-1 ORDER INFORMATION**

Product	Φ Cable OD	Conductor Cross Section	Packing Units
T4-PC-1	4.3 - 6.6 mm	4 mm <sup>2</sup> / 6 mm <sup>2</sup> 12 AWG / 10 AWG	100 pairs or 500 pairs
	6.7 - 7.5 mm (Large)		

**ACCESSORIES ORDER INFORMATION**

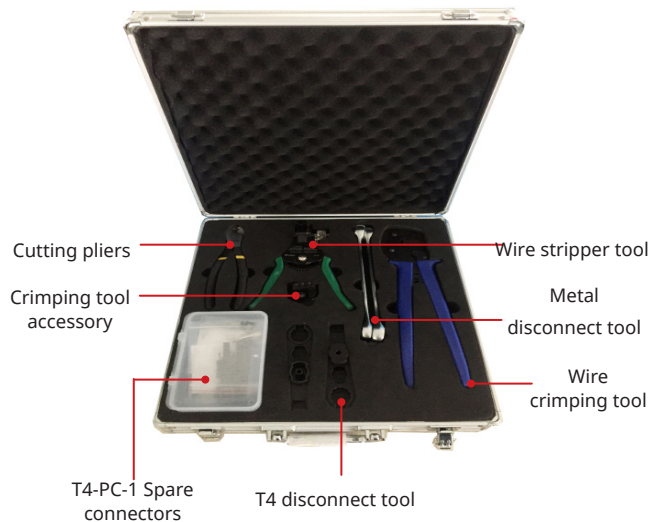
Product	Description	Packing Units
T4-DT	T4 Disconnect Tool	80 units or 400 units
T4-EC	T4 Connector End Cap	1000 or 5000 pairs
T4-MPC	T4 Male Pin Contact (-) In a Roll	4 Rolls (10000 units)
T4-FSC	T4 Female Socket Contact (+) In a Roll	4 Rolls (10000 units)
T4-MFC	T4 Male and Female Contact (-)/(+)	2000 or 10000 pairs
T4-TOOLKIT	T4 Field Installation Toolkit	1 unit

**T4-TOOLKIT COMPONENTS**

Wire stripper tool	1 piece
Wire crimping tool	1 piece
Cutting pliers	1 piece
T4 disconnect tool	2 pieces
Metal disconnect tool	2 pieces
Crimping tool accessory	1 piece
T4-PC-1 Spare connectors	2 pairs
Installation manual	1 copy

**T4-TOOLKIT SIZE**

Size	360×345×75 mm (14.2×13.6×2.9 in)
Weight	3kg (6.6 lbs)



**CAUTION:**

1. The exposure to or direct contact with chemicals or oils of T4 products may cause corrosion, degradation of performance, or cracking of the product, thus such exposure or direct contact should be strictly prohibited during the process of product manufacturing, transportation, installation and application. The chemicals that may come into contact with or be used in the process above. It is the user's responsibility to validate that such chemical will not affect the performance of T4 products.
2. Interconnection of different connector models/brands with T4 is not allowed.
3. Recycling and all other types of comparable disassembly of the above mentioned products have to be performed by a qualified waste management company, in compliance with national and local waste management regulations.