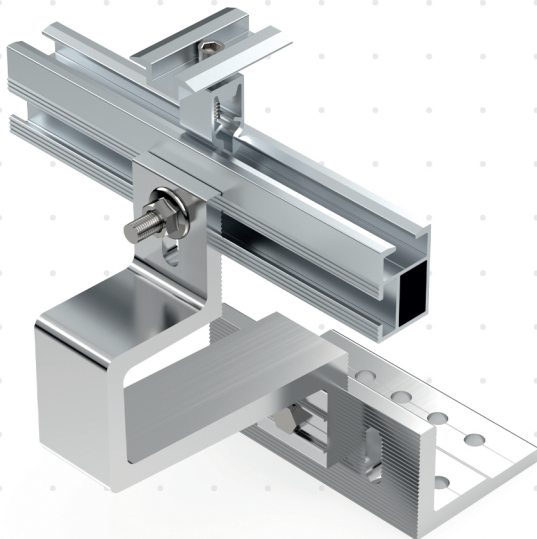




PIRO

FOR THE INSTALLATION OF PV-PANELS ON PITCHED ROOFS



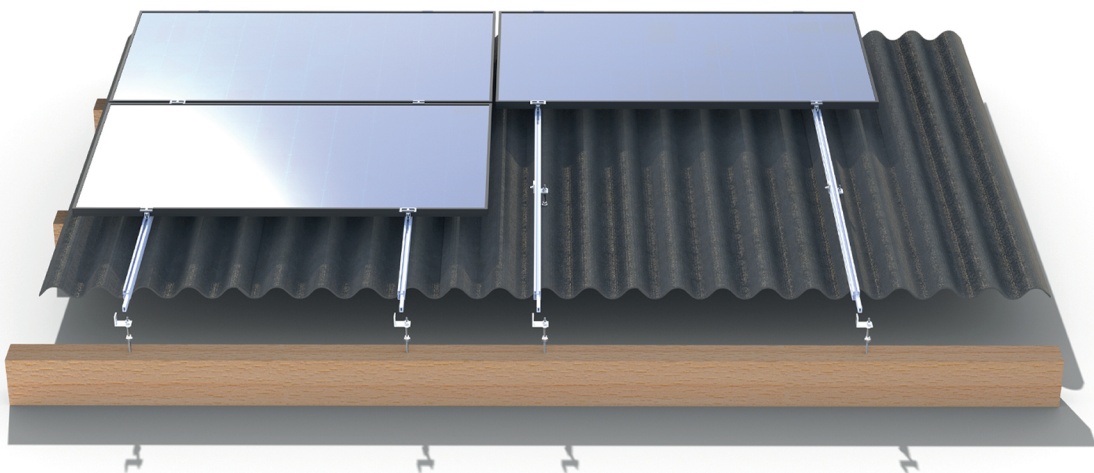
OVERVIEW

- ✓ For landscape and portrait panel orientation
- ✓ Fast installation thanks to „Click“ system and pre-assembled components
- ✓ Optimized for pitched roofs
- ✓ Rails with comfortable, lateral connection
- ✓ Compensation of roof unevenness through height adjustable rail connection
- ✓ High stability due to form-locking connections

The mounting system PIRO has been designed to fit pitched roofs where a combination of roof fixation and rail system is applied. As a sophisticated and cost-optimised system, it can be used for nearly all common roof coverings, rafter and purlin roofs.

PIRO is suitable for both framed and frameless panels. The implementation of this flexible mounting structure can be applied as a single-layer as well as a double-layer system with a cross-rail. There are almost no limits for system-adaption according to any purpose required.

Due to the use of aluminium and stainless steel, the durability of the PV-system is ensured. Hence, we provide a 10-year warranty.





TECHNICAL SPECIFICATIONS

Scope of application:	pitched roof with inclination from 5° to 60°
Roof covering:	for all common roof coverings* such as pantiles, corrugated sheet, trapezoidal and standing seam sheet
Roof fixation:	roof hook, hanger-bolt, standing seam clamp
Rail orientation:	parallel to eave / ridge or verge system construction as single- or double-layer with cross-layer
Module orientation:	landscape & portrait
Module type:	framed and frameless modules
Material:	system components: aluminium EN AW 6063 T66 screws / fasteners: stainless steel A2
Standards & Norms:	design fundamentals according to Eurocode 9 - dimensioning and construction of aluminium structures. Design loads according to DIN 1055 / Eurocode 1
Warranty:	10 years product warranty. Please refer to the detailed warranty-conditions of Ademotec GmbH

*Customer must ensure that the roof-covering is suitable for the PIRO system.

