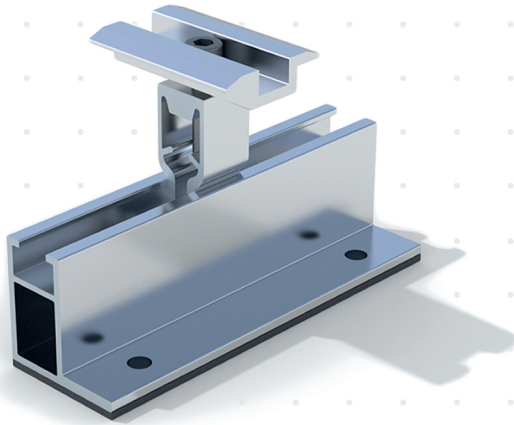




SHORA

FOR THE INSTALLATION OF PV-PANELS ON TRAPEZOIDAL METAL SHEET



OVERVIEW

- ✔ Suitable for landscape and portrait panel orientation
- ✔ Fast installation thanks to „Click“ system and pre-assembled components
- ✔ Higher yield due to enhanced rear ventilation
- ✔ Stress-free panel mounting
- ✔ Short delivery time and low freight charges

The mounting system SHORA has been specially designed for mounting solar panels on trapezoidal sheets. Thanks to complete pre-assembled components and the sophisticated fastening technology, the mounting time is reduced to a minimum.

EPDM-gaskets on the sealing washers of the metal-sheet screws and between the rails and trapezoidal sheet durably prevent water leakage.

All applied fasteners comply with the Technical Building Regulations or have a general technical approval of the DIBt.

Due to the use of aluminium and stainless steel, the durability of the PV-system is ensured. Hence, we provide a 10-year warranty.

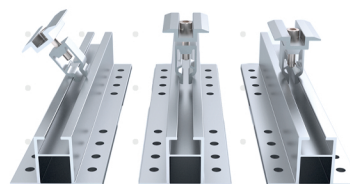
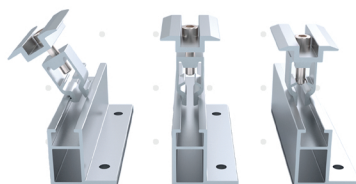




TECHNICAL SPECIFICATIONS

SHORA 2s

SHORA 4s



Scope of application:	pitched roof with max roof inclination of 30° (other upon request)	
Roof covering:	trapezoidal sheet*, steel (from 0.5 mm) or aluminium (from 0.7 mm)	
Roof fixation:	metal-sheet screw with sealing washer	
Rail dimensions:	height: 35 mm length: 120 mm	height: 35 mm length: 245 mm or 371 mm
Module orientation:	landscape	portrait
Module type:	framed and frameless modules	
Material:	system components: aluminium EN AW 6063 T66 screws / fasteners: stainless steel A2 / bimetal seals: EPDM	
Standard & Norms:	design fundamentals according to Eurocode 9 - dimensioning and construction of aluminium structures. Design loads according to DIN 1055 / Eurocode 1	
Warranty:	10 years product warranty. Please refer to the detailed warranty-conditions of Ademotec GmbH	

*Customer must ensure that the roof-covering is suitable for the SHORA system.

