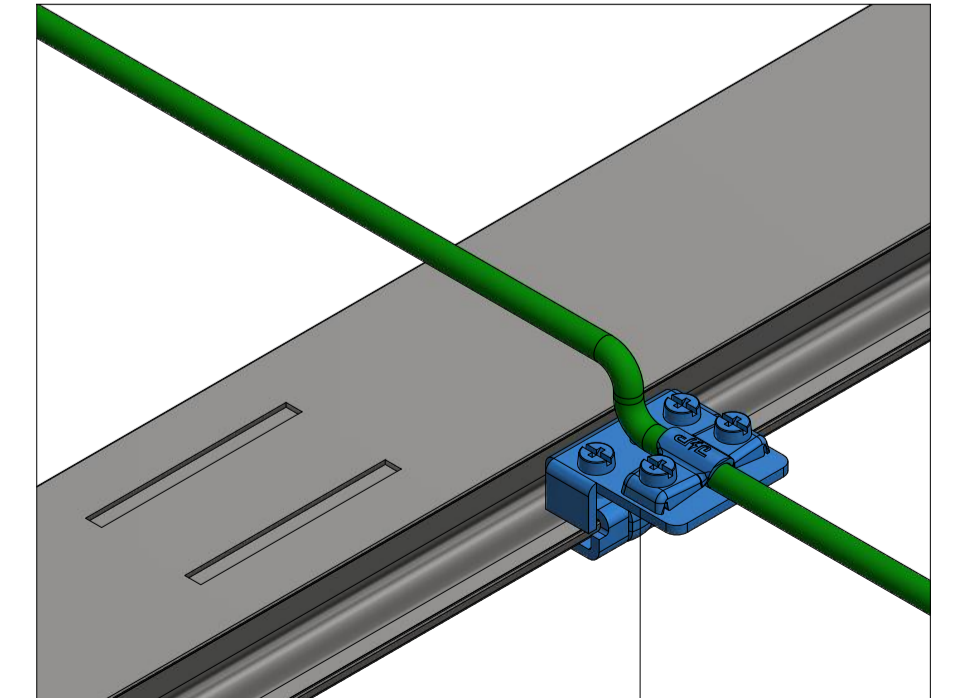
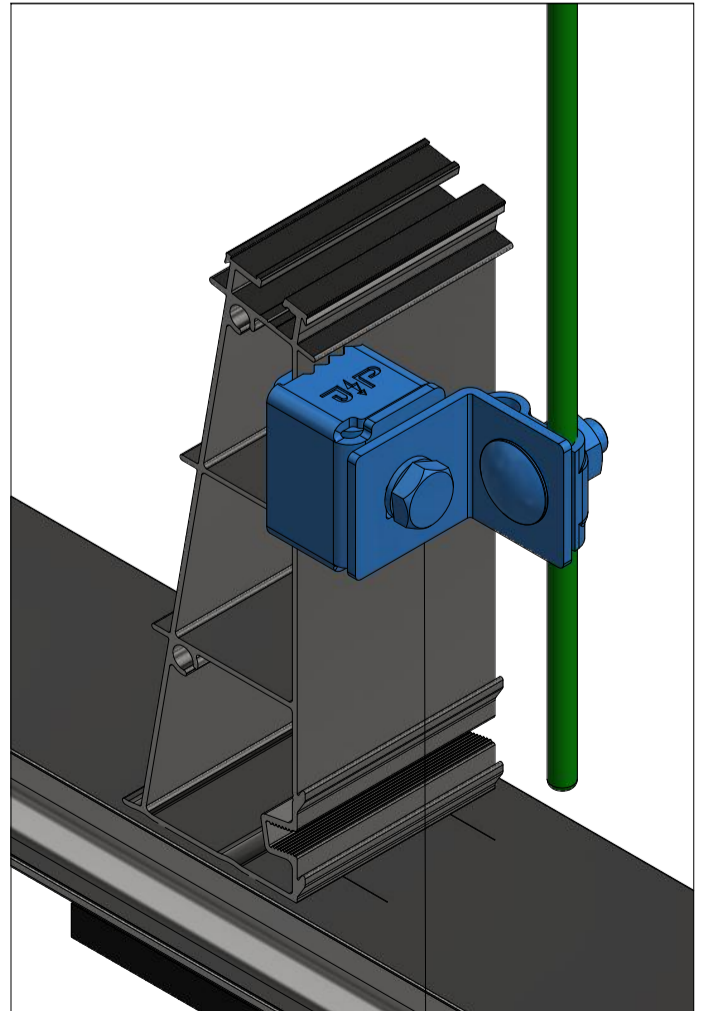


cross-saddle clamp, Al/V2A
(J.Pröbster)



saddle-clamp, Al/V2A
(J.Pröbster)



terminal, Al/V2A
elbow and double connection terminal
(J.Pröbster)

standard reference for the terminals:
DIN EN 62561-1 (VDE 0185-561-1)

PMT PREMIUM MOUNTING TECHNOLOGIES		general tolerances acc. to ISO 2768-m	date 13.02.2020	name m.uhlrig	system overview EVO 2.0 possible attachment points for potential equalisation / lightning protection PMT-EVO 2.0-000897
drawn	checked	approved	Premium Mounting Technologies GmbH & Co. KG Industriestraße 29 95346 Stadtenbach Tel. +49 9225 9550 0 email: info@pmt-solutions www.pmt-solutions		
rev.	description	date	name	1 A1	