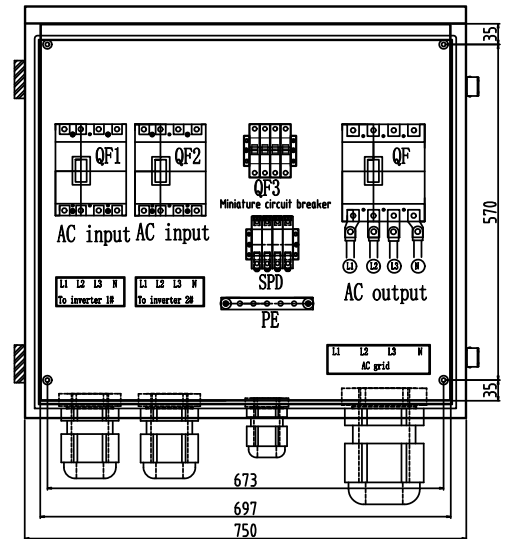
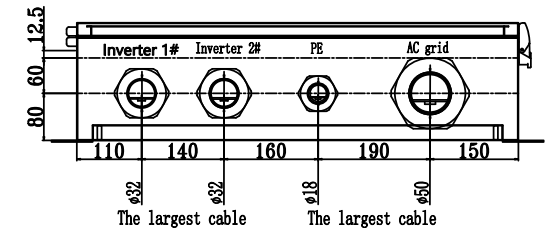
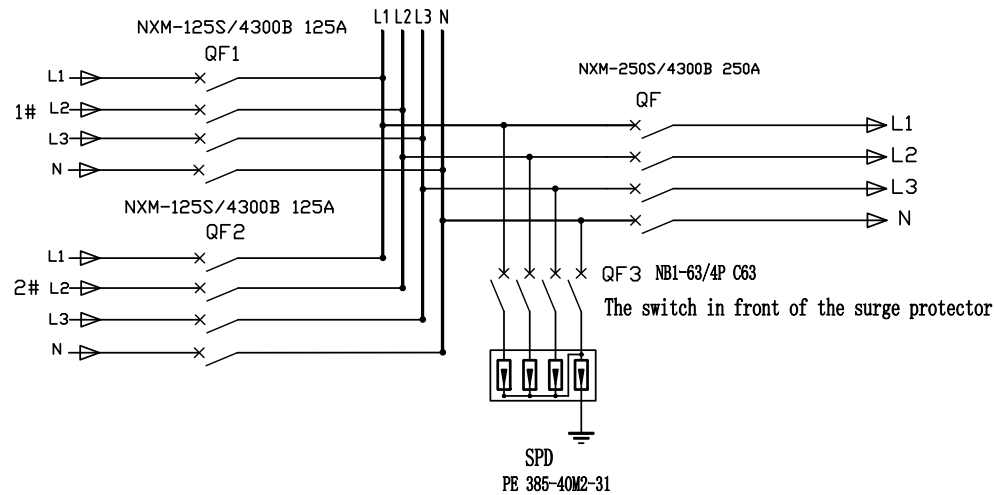


Box Panel



Component layout



Bottom sketch

DESCRIPTION:

1. Material: Galvanized Steel
2. Spray color: RAL 7015
3. System Voltage: AC 400 V
4. Hanging installation

Current input	Input Circuit Breaker protection	Conflux section	Lightning protection and switch	Breaker protection	Output Terminal
---------------	----------------------------------	-----------------	---------------------------------	--------------------	-----------------

number	Code name	The name of the	model	The number of	model NO	ACCB150	Zucchetti Centro Sistemi S.p.A.		
1	QF	Ac switch	NXM-250S/4300B 250A	1					
2	QF1	Ac switch	NXM-125S/4300B 125A	1					
3	QF2	Ac switch	NXM-125S/4300B 125A	1					
4	QF3	Miniature circuit breaker	NB1-63/4P C63	1					
5	SPD	Surge protector	PE 385-40M2-31	1					
Design	Jeff	Standardization	Bobby	2in lout AC bus layout			One in all The first one		
Cartography	Kenny	Audit	Romeozhang						
Calibration	Salahe	Permission granted	Kant						
Craft	Ken	Date	2022.09.30						